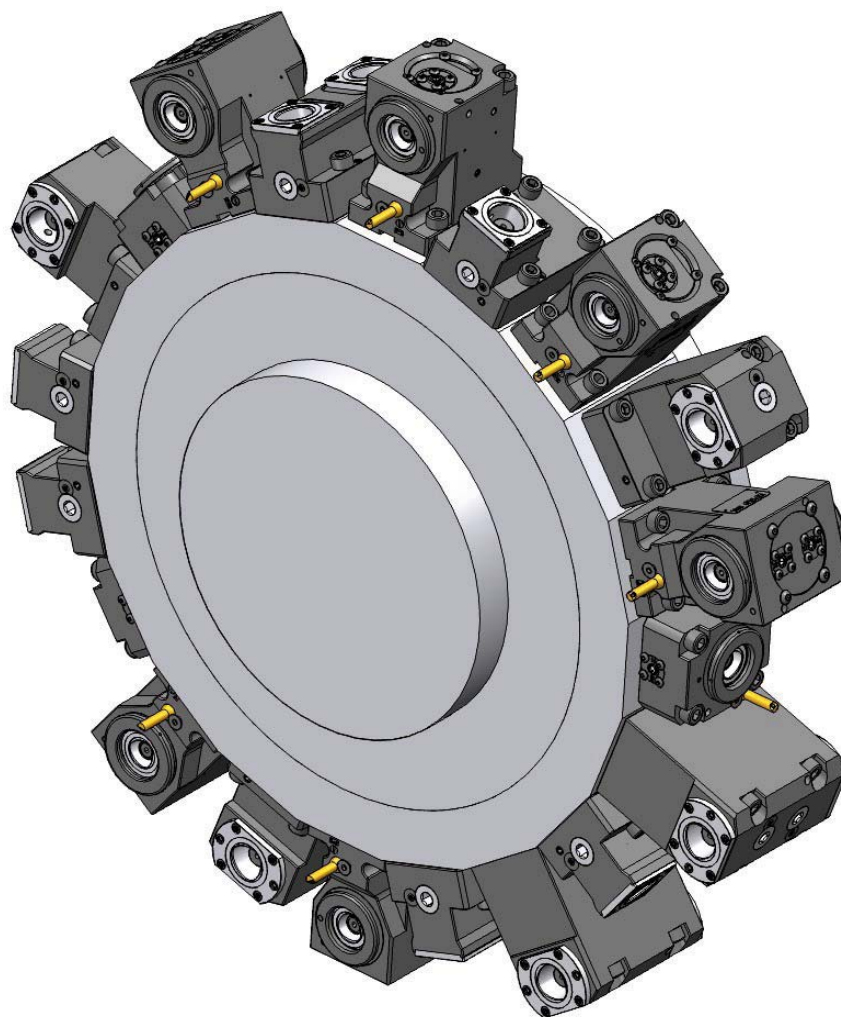


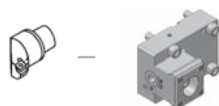
Mori Seiki NL/NLX 1500-2500 (20 station turret)

Tool holder program



Mori Seiki NL NLX 1500 2500 (20 station turret)

Coromant Capto® Program



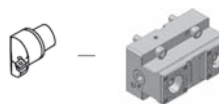
OD clamping unit

C4	C4-TRE-MS40A (343-830111C293-RC)	Standard
C4	C4-TLE-MS40A (343-830111C293-LC)	Standard



OD clamping unit, double, Y axis

C4	C4-TRE-MS40A-YT (343-830111C343-RC)	Standard
C4	C4-TLE-MS40A-YT (343-830111C343-LC)	Standard



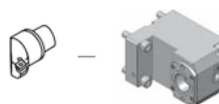
OD clamping unit, both sides

C4	C4-TRE-MS40A-DT (343-830111C294-RC)	Standard
C4	C4-TLE-MS40A-DT (343-830111C294-LC)	Standard



OD clamping unit, both sides, double, Y axis

C4	343-830111C673	Special
----	----------------	---------



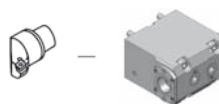
Face and ID clamping unit

C4	C4-TRI-MS40A (343-830111C295-RC)	Standard
C4	C4-TLI-MS40A (343-830111C295-LC)	Standard



Face and ID clamping unit, double

C4	C4-TRI-MS40A-YT (343-830111C679-RC)	Standard
C4	C4-TLI-MS40A-YT (343-830111C679-LC)	Standard



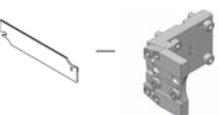
Face and ID clamping unit, both sides

C4	C4-TRI-MS40A-DT (343-830111C296-RC)	Standard
C4	C4-TLI-MS40A-DT (343-830111C296-LC)	Standard



Face and ID clamping unit, both sides, double

C4	343-830111C678	Special
----	----------------	---------



Cut-off holder, adjustable

SH 32	APB-TNE-MS40A-25	Standard
-------	------------------	----------

Mori Seiki NL NLX 1500 2500 (20 station turret)

Coromant Capto® Program



OD drill/milling unit

C3	343-830820N1589	1:1	EC	Special
C3	C3-DNE-MS40A-I	1:1	IC 80 bar	Standard
C4	C4-DNE-MS40A-E	1:1	EC	Standard



OD drill/milling unit (12000 RPM)

C3	343-830820B2230	1:1	EC	Special
----	-----------------	-----	----	---------



Face drill/milling unit

C3	343-830820N1590	1:1	EC	Special
C3	343-830820N1591	1:1	IC 80 bar	Special
C4	C4-DNI-MS40A-E	1:1	EC	Standard
C4	C4-DNI-MS40A-I	1:1	IC 80 bar	Standard



Face drill/milling unit (12000 RPM)

C3	343-830820N2408	1:1	EC	Special
C3	343-830820N2409	1:1	IC 80 bar	Special



Face drill/milling unit, both sides

C3	343-830820N1614	1:1	EC	Special
C4	343-830820N2286	1:1	EC	Special