

Highlights

from the latest product introductions



CoroMill® 316

The first tool in the exchangeable-head milling system with threaded interface between carbide head and tool shank. With the flexibility to handle a multitude of operations, this concept takes milling into a new era.

See page D202



CoroMill® 345

This new 45° face mill offers excellent cost efficiency for roughing through to mirror finishing applications. It uses 8-edge inserts for productivity in small to medium depths of cut.

See page D81



CoroMill® 170

Precision and productivity are combined in this new gear milling cutter for roughing of internal and external gears.

See page D196

Highlights

from the latest product introductions

CoroMill® 325, CoroMill® 326, CoroMill® 329

Three new milling cutters specialized in their own area; thread whirling, grooving, threading, chamfering in small holes and external grooving applications with CoroCut® inserts.

See milling chapter.



Milling grades GC1040, S30T and S40T

GC1040 is the first choice for difficult stainless steel alloys. Grades S30T and S40T are the experts in titanium milling, where S40T is tougher and S30T is faster.

See milling chapter.



CoroDrill® 880 and CoroDrill® 881

CoroDrill® 881 is the new indexable drill optimized for smaller holes. CoroDrill® 880 is improved with a new insert grade, GC1044, and a geometry dedicated to ISO M materials.

See drilling chapter.



Highlights

from the latest product introductions



CoroDrill® 854 and 856

Two new diamond-coated drills for composite materials. Designed for use in CNC machines to improve hole quality in carbon fiber and aluminum stack materials.

CoroDrill® 452

Introducing a complete range of standard tools for portable, hand-held machines used in aerospace applications. Optimized for composite and metallic-stack materials, these tools offer a complete solution for producing the most common aerospace bolt and rivet holes. See drilling chapter



CoroBore® XL

The rigid and reliable solution for fine and rough boring in large diameter holes. See boring chapter

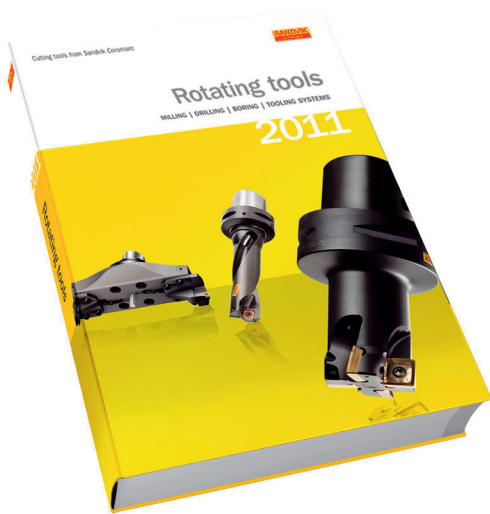


Hydro-Grip Heavy Duty

The new Hydro-Grip power chuck has the highest clamping force on the market, with improved strength and dampening features dedicated to heavy machining. See Tooling System chapter

What's new?

The catalog is now split into two parts - Turning tools and Rotating tools - and both parts include the latest releases from CoroPak 11.1.



Rotating tools

- D MILLING
- E DRILLING
- F BORING
- G TOOLING SYSTEMS (For rotating tools)
- J GENERAL INFORMATION

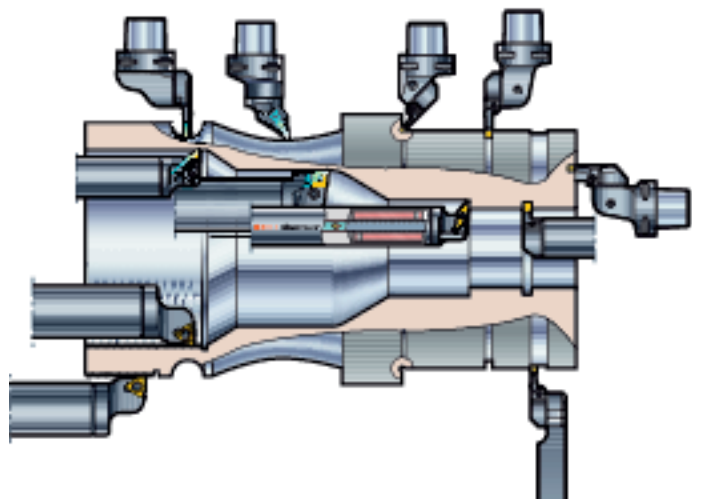


Turning tools

- A GENERAL TURNING
- B PARTING AND GROOVING
- C THREADING
- G TOOLING SYSTEMS (For non-rotating tools)
- H MULTI-TASK MACHINING
- I CoroTurn® SL (New chapter, see below)
- J GENERAL INFORMATION

New chapter in the Turning tools catalog

All CoroTurn® SL products, including cutting heads for General Turning, Parting and Grooving and Threading are now presented in the same chapter as CoroTurn® SL adapters.



MILLING D

DRILLING E

BORING F

TOOLHOLDING SYSTEMS G

GENERAL INFORMATION J
Alphanumeric index J14