

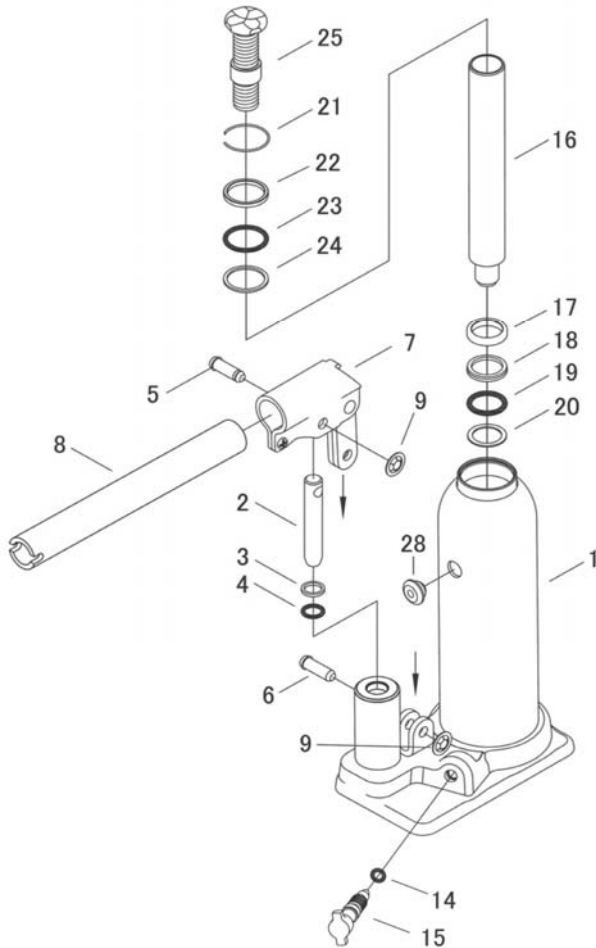


Hydraulic Bottle Jacks

JHJ-2 (stock no. 453301)

JHJ-3 (stock no. 453303)

JHJ-5 (stock no. 453305)



	JHJ-2	JHJ-3	JHJ-5
Rated capacity	2 ton	3 ton	5 ton
Minimum height (in.)	7-1/8	7-1/2	7-7/8
Piston height (in.)	4-1/2	4-1/2	4-5/8
Head screw (h/in.)	2	2-3/8	2-3/4
Maximum height (in.)	13-5/8	14-3/8	15-1/2
Base size (LxW/in.)	4-1/2 x 2-1/2	4-9/16 x 2-13/16	5-5/8 x 3-1/4
Weight (lbs)	5	6	9

Part No. M-453301

Revision G1 04/2014

JET

a Division of JPW Industries, Inc.
427 New Sanford Rd.
LaVergne, Tennessee 37086
Ph.: 800-274-6848
www.jettools.com

JHJ-2

JHJ001-RK.....	Repair Kit
JHJ001-02.....	Pump Plunger
JHJ001-03*.....	Pump Backup Ring
JHJ001-04*.....	Pump Packing
JHJ001-05.....	Pump Plunger Pin
JHJ001-06.....	Pump Stay Pin (Ref JHJ001-05)
JHJ001-07.....	Handle Socket Assembly
JHJ001-08.....	Handle 2pc.
JHJ001-09.....	Pin Stopper Ring
JHJ001-14*.....	Release Packing (all sizes)
JHJ001-15.....	Release Assembly 1-7/8" (old)
JHJ001-15A.....	Release Assembly 2-1/4" (new)
JHJ001-16.....	Ram
JHJ001-17.....	Ram Packing Seat
JHJ001-18*.....	Ram Backup Ring
JHJ001-19*.....	Ram Packing
JHJ001-20.....	Ram Packing Stopper
JHJ001-21.....	Snap Ring
JHJ001-22.....	Stuffing Ring
JHJ001-23*.....	Cylinder Packing
JHJ001-24.....	Stopper Ring
JHJ001-25.....	Adjusting Screw Assembly
JHJ001-28*.....	Oil Plug (all sizes)

JHJ-3

JHJ003-RK.....	Repair Kit
JHJ003-02.....	Pump Plunger (Ref JHJ001-02)
JHJ003-03*.....	Pump Backup Ring (Ref JHJ001-03)
JHJ003-04*.....	Pump Packing (Ref JHJ001-04)
JHJ003-05.....	Pump Plunger Pin (Ref JHJ001-05)
JHJ003-06.....	Pump Stay Pin (Ref JHJ001-05)
JHJ003-07.....	Handle Socket (Ref JHJ001-07)
JHJ003-08.....	Handle 2pc.
JHJ003-09.....	Pin Stopper Ring (Ref JHJ001-09)
JHJ003-14*.....	Release Packing (Ref JHJ001-14)
JHJ003-15.....	Release Assy Old (Ref JHJ001-15)
JHJ003-15A.....	Release Assy New (Ref JHJ001-15A)
JHJ003-16.....	Ram
JHJ003-17.....	Ram Packing Seat
JHJ003-18*.....	Ram Backup Ring
JHJ003-19*.....	Ram Packing
JHJ003-20.....	Ram Packing Stopper
JHJ003-21.....	Snap Ring
JHJ003-22.....	Stuffing Ring
JHJ003-23*.....	Cylinder Packing
JHJ003-24.....	Stopper Ring (Ref JHJ003-22)
JHJ003-25.....	Adjusting Screw Assembly
JHJ003-28*.....	Oil Plug (Ref JHJ001-28)

JHJ-5

JHJ005-RK.....	Repair Kit
JHJ005-02.....	Pump Plunger
JHJ005-03*.....	Pump Backup Ring
JHJ005-04*.....	Pump Packing
JHJ005-05.....	Pump Plunger Pin
JHJ005-06.....	Pump Stay Pin (Ref JHJ005-05)
JHJ005-07.....	Handle Socket Assembly
JHJ005-08.....	Handle 3pc. (Ref JHJ003-08)
JHJ005-09.....	Pin Stopper Ring
JHJ005-14*.....	Release Packing (Ref JHJ001-14)
JHJ005-15.....	Release Assy Old (Ref JHJ001-15)
JHJ005-15A.....	Release Assy New (Ref JHJ001-15A)
JHJ005-16.....	Ram
JHJ005-17.....	Ram Packing Seat
JHJ005-18*.....	Ram Backup Ring
JHJ005-19*.....	Ram Packing
JHJ005-20.....	Ram Packing Stopper
JHJ005-21.....	Snap Ring
JHJ005-22.....	Stuffing Ring
JHJ005-23*.....	Cylinder Packing
JHJ005-24.....	Stopper Ring (Ref JHJ005-22)
JHJ005-25.....	Adjusting Screw Assembly
JHJ005-28*.....	Oil Plug (Ref JHJ001-28)

* denotes part included in repair kit

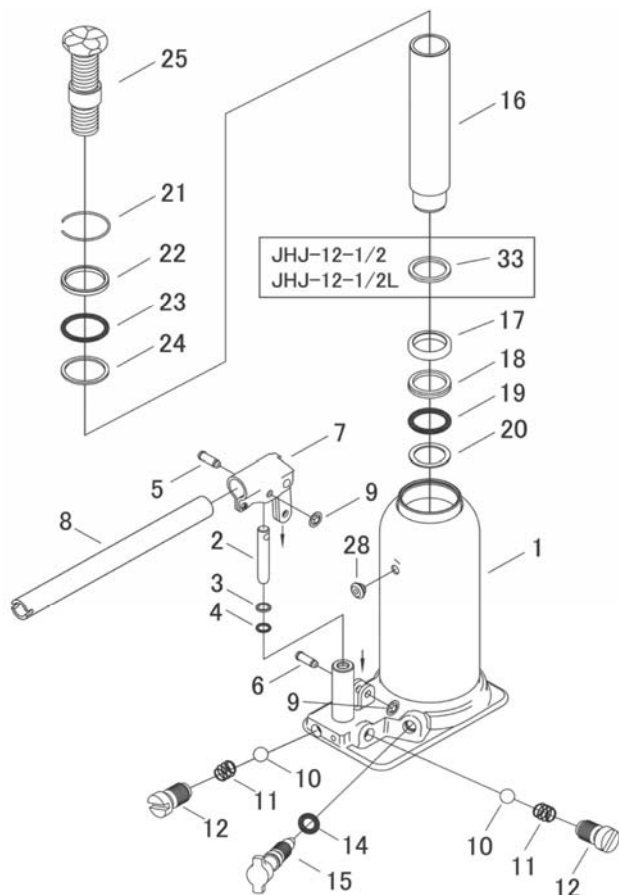


Hydraulic Bottle Jacks

JHJ-8 (stock no. 453308)

JHJ-12-1/2 (stock no. 453312)

JHJ-12-1/2L (stock no. 453313K)



	JHJ-8	JHJ-12-1/2	JHJ-12-1/2L
Rated capacity	8 ton	12-1/2 ton	12-1/2 ton
Minimum height (in.)	7-7/8	9-1/2	6-3/4
Piston height (in.)	4-5/8	5-7/8	3-3/4
Head screw (h/in.)	2-3/4	3-1/8	3
Maximum height (in.)	15-1/2	18-1/2	13-3/8
Base size (LxW/in.)	6 x 3-1/2	6-1/2 x 4-1/8	6-1/2 x 4-1/8
Weight (lbs)	13	18	15

JHJ-8

JHJ008-RK	Repair Kit
JHJ008-02	Pump Plunger
JHJ008-03*	Pump Backup Ring (Ref JHJ005-03)
JHJ008-04*	Pump Packing
JHJ008-05	Pump Plunger Pin
JHJ008-06	Pump Stay Pin (Ref JHJ008-05)
JHJ008-07	Handle Socket Assembly
JHJ008-08	Handle 3pc.
JHJ008-09	Pin Stopper Ring
JHJ008-10	Valve Ball (Ref SB-9/32)
JHJ008-11	Spring (Ref JHJ005-11)
JHJ008-12	Valve Plug (Ref JHJ005-12)
JHJ008-14*	Release Packing (JHJ001-14)
JHJ008-15	Release Assy Old (JHJ001-15)
JHJ008-15A	Release Assy New (JHJ001-15A)
JHJ008-16	Ram
JHJ008-17	Ram Packing Seat
JHJ008-18*	Ram Backup Ring
JHJ008-19*	Ram Packing
JHJ008-20	Ram Packing Stopper
JHJ008-21	Snap Ring
JHJ008-22	Stuffing Ring
JHJ008-23*	Cylinder Packing
JHJ008-24	Stopper Ring (Ref JHJ008-22)
JHJ008-25	Adjusting Screw Assembly
JHJ008-28*	Oil Plug (Ref JHJ001-28)

JHJ-12-1/2 and JHJ-12-1/2L

JHJ012-RK	Repair Kit
JHJ012-02	Pump Plunger (Ref JHJ008-02)
JHJ012-03*	Pump Backup Ring (Ref JHJ005-03)
JHJ012-04*	Pump Packing (Ref JHJ008-04)
JHJ012-05	Pump Plunger Pin (Ref JHJ008-05)
JHJ012-06	Pump Stay Pin (Ref JHJ008-05)
JHJ012-07	Handle Socket (Ref JHJ008-07)
JHJ012-08	Handle 3pc. (Ref JHJ008-08)
JHJ012-08LP	Handle 1pc
JHJ012-09	Pin Stopper Ring (Ref JHJ008-09)
JHJ012-10	Valve Ball (Ref SB-9/32)
JHJ012-11	Spring (Ref JHJ005-11)
JHJ012-12	Valve Plug (Ref JHJ005-12)
JHJ012-14*	Release Packing (Ref JHJ001-14)
JHJ012-15	Release Assy Old (Ref JHJ001-15)
JHJ012-15A	Release Assy New (Ref JHJ001-15A)
JHJ012-16	Ram
JHJ012-16LP	Ram
JHJ012-17	Ram Packing Seat
JHJ012-18*	Ram Backup Ring
JHJ012-19*	Ram Packing
JHJ012-20	Ram Packing Stopper
JHJ012-21	Snap Ring
JHJ012-22	Stuffing Ring
JHJ012-22LP	Stuffing Ring
JHJ012-23*	Cylinder Packing
JHJ012-24	Stopper Ring (Ref JHJ012-22)
JHJ012-25	Adjusting Screw Assembly
JHJ012-25LP	Adjusting Screw Assembly
JHJ012-28*	Oil Plug (Ref JHJ001-28)
JHJ012-33	Ring

* denotes part included in repair kit

Part No. M-453308

Revision G1 04/2014

JET

a Division of JPW Industries, Inc.
427 New Sanford Rd.
LaVergne, Tennessee 37086
Ph.: 800-274-6848
www.jettools.com



Hydraulic Bottle Jacks

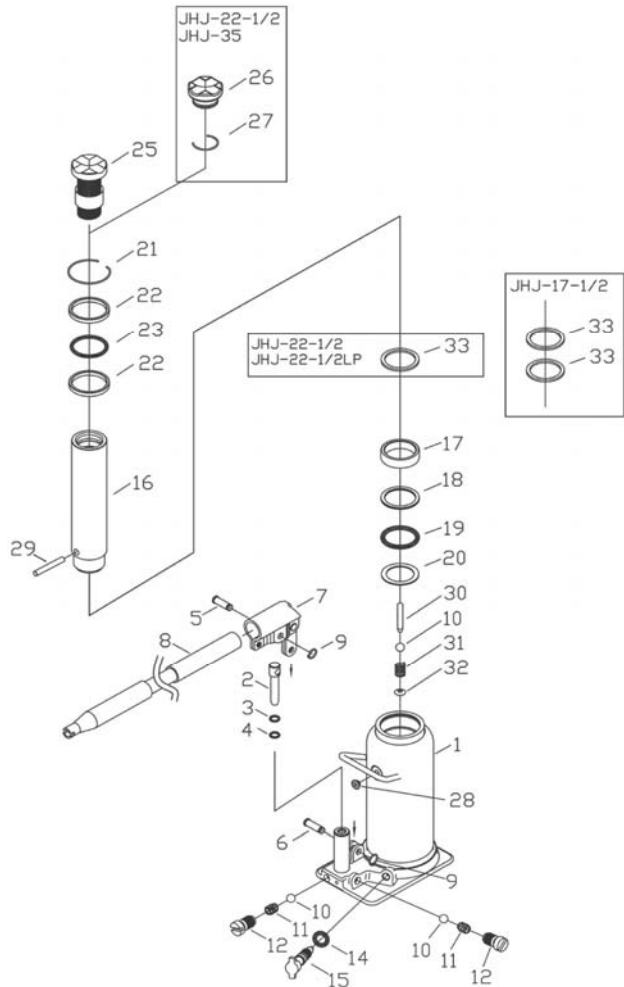
JHJ-17-1/2 (stock no. 453317)

JHJ-17-1/2L (stock no. 453318K)

JHJ-22-1/2 (stock no. 453322)

JHJ-22-1/2LP (stock no. 453323K)

JHJ-35 (stock no. 453335K)



	JHJ-17-1/2	JHJ-17-1/2L	JHJ-22-1/2	JHJ-22-1/2LP	JHJ-35
Rated capacity (ton)	17-1/2	17-1/2	22-1/2	22-1/2	35
Min. height (in.)	10-3/8	6-3/4	10-5/8	7-1/8	11
Piston height (in.)	6-1/2	3-1/2	6-1/4	3-3/8	6-1/4
Head screw (h/in.)	3-1/8	2-3/4	--	1-1/2	--
Max height (in.)	20	13	16-7/8	12	17-1/4
Base size (LxW/in.)	7-1/8 x 4-5/8	7-1/8 x 4-5/8	7-1/8 x 5-1/2	7-1/4 x 5-1/16	8-3/8 x 5-1/2
Weight (lbs)	24	19	28	23	48

Part No. M-453322

Revision G1 04/2014

JET

a Division of JPW Industries, Inc.
427 New Sanford Rd.
LaVergne, Tennessee 37086
Ph.: 800-274-6848
www.jettools.com

JHJ-17-1/2 and JHJ-17-1/2L

JHJ017-RK	Repair Kit
JHJ017-02	Pump Plunger (Ref JHJ008-02)
JHJ017-03	Pump Backup Ring (Ref JHJ005-03)
JHJ017-04*	Pump Packing (Ref JHJ008-04)
JHJ017-05*	Pump Plunger Pin (Ref JHJ008-05)
JHJ017-06	Pump Stay Pin (Ref JHJ008-05)
JHJ017-07	Handle Socket Assembly (Ref JHJ008-07)
JHJ017-08	Handle 3pc. (Ref JHJ008-08)
JHJ017-08LP	Handle 1pc (Ref JHJ012-08LP)
JHJ017-09	Pin Stopper Ring (Ref JHJ008-09)
JHJ017-10	Valve Ball (Ref SB-9/32)
JHJ017-11	Valve Plug
JHJ017-12	Valve Plug (Ref JHJ005-12)
JHJ017-14*	Release Packing (Ref JHJ001-14)
JHJ017-15	Release Assy Old (Ref JHJ001-15)
JHJ017-15A	Release Assy New (Ref JHJ001-15A)
JHJ017-16	Ram
JHJ017-16LP	Ram
JHJ017-17	Ram Packing Seat
JHJ017-18*	Ram Backup Ring
JHJ017-19*	Ram Packing
JHJ017-20	Ram Packing Stopper
JHJ017-21	Snap Ring
JHJ017-22	Stuffing Ring
JHJ017-22LP	Stuffing Ring
JHJ017-23*	Cylinder Packing
JHJ017-25	Adjusting Screw Assembly
JHJ017-25LP	Adjusting Screw Assembly
JHJ017-28*	Oil Plug (Ref JHJ001-28)
JHJ017-29	Horizontal Pin
JHJ017-30	Vertical Pin
JHJ017-31	Ram Spring
JHJ017-32	Ram Spring Stopper Ring
JHJ017-33	Ring

JHJ-22-1/2 and JHJ-22-1/2LP

JHJ022-RK	Repair Kit
JHJ022-02	Pump Plunger
JHJ022-03	Pump Backup Ring (Ref JHJ005-03)
JHJ022-04*	Pump Packing (Ref JHJ008-04)
JHJ022-05*	Pump Plunger Pin
JHJ022-06	Pump Stay Pin (Ref JHJ022-05)
JHJ022-07	Handle Socket Assembly
JHJ022-08	Handle 3pc
JHJ022-08LP	Handle 1pc
JHJ022-09	Pin Stopper Ring
JHJ022-10	Valve Ball (Ref SB-9/32)
JHJ022-11	Spring (Ref JHJ005-11)
JHJ022-12	Valve Plug (Ref JHJ005-12)
JHJ022-14*	Release Packing (JHJ001-14)
JHJ022-15	Release Assy Old (JHJ001-15)
JHJ022-15A	Release Assy New (JHJ001-15A)
JHJ022-16	Ram
JHJ022-16LP	Ram
JHJ022-17	Ram Packing Seat
JHJ022-18*	Ram Backup Ring
JHJ022-19*	Ram Packing
JHJ022-20	Ram Packing Stopper
JHJ022-21	Snap Ring
JHJ022-22	Stuffing Ring
JHJ022-22LP	Stuffing Ring
JHJ022-23*	Cylinder Packing
JHJ022-25LP	Adjusting Screw Assembly
JHJ035-26	Supporting Plate
JHJ035-27	Snap Ring
JHJ022-28*	Oil Plug (Ref JHJ001-28)
JHJ022-29	Horizontal Pin
JHJ022-30	Vertical Pin
JHJ022-31	Ram Spring
JHJ022-32	Ram Spring Stopper Ring
JHJ022-33	Ring

JHJ-35

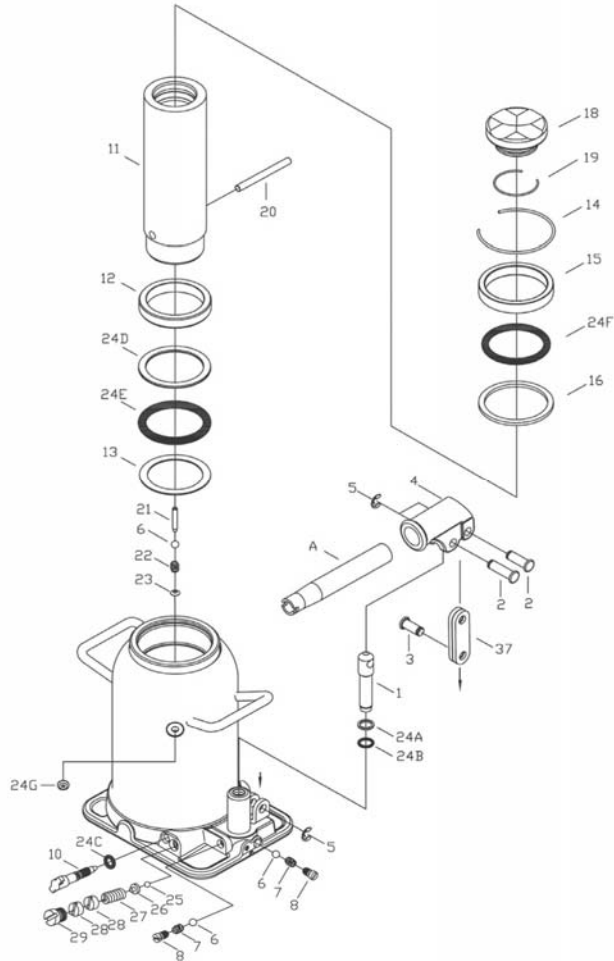
JHJ035-RK	Repair Kit
JHJ035-02	Pump Plunger (Ref JHJ022-02)
JHJ035-03*	Pump Backup Ring
JHJ035-04*	Pump Packing (Ref JHJ008-04)
JHJ035-05	Pump Plunger Pin (Ref JHJ022-05)
JHJ035-06	Pump Stay Pin (Ref JHJ022-06)
JHJ035-07	Handle Socket (Ref JHJ022-07)
JHJ035-08	Handle 1pc
JHJ035-09	Pin Stopper Ring (Ref JHJ022-09)
JHJ035-10	Valve Ball (Ref SB-9/32)
JHJ035-11	Spring (Ref JHJ005-11)
JHJ035-12	Valve Plug (Ref JHJ005-12)
JHJ035-14*	Release Packing (Ref JHJ001-14)
JHJ035-15	Release Assy Old (Ref JHJ001-15)
JHJ035-15A	Release Assy New (Ref JHJ001-15A)
JHJ035-16	Ram
JHJ035-17	Ram Packing Seat
JHJ035-18*	Ram Backup Ring
JHJ035-19*	Ram Packing
JHJ035-20	Ram Packing Stopper
JHJ035-21	Snap Ring
JHJ035-22	Stuffing Ring
JHJ035-23*	Cylinder Packing
JHJ035-26	Supporting Plate
JHJ035-27	Snap Ring
JHJ035-28*	Oil Plug (Ref JHJ001-28)
JHJ035-29	Horizontal Pin
JHJ035-30	Vertical Pin
JHJ035-31	Ram Spring
JHJ035-32	Ram Spring Stopper Ring

* denotes part included in repair kit



JHJ-060

Hydraulic Bottle Jack JHJ-060 (stock no. 453360)



- JHJ060-RK.....Repair Kit*
- JHJ060-A.....Handle
- JHJ060-01.....Pump Plunger
- JHJ060-02.....Pump Plunger Pin
- JHJ060-03.....Pump Stay Pin
- JHJ060-04.....Handle Socket Assembly
- JHJ060-05.....Snap Ring
- JHJ060-06.....Valve Ball (Ref SB-1/4)
- JHJ060-07.....Valve Spring (Ref JHJ001-11)
- JHJ060-08.....Valve Plug (Ref JHJ005-12)
- JHJ060-10.....Release Assy Old (Ref JHJ001-15)
- JHJ060-10A.....Release Assy New (JHJ001-15A)
- JHJ060-11.....Ram
- JHJ060-12.....Ram Packing Seat
- JHJ060-13.....Ram Packing Stopper
- JHJ060-14.....Snap Ring
- JHJ060-15.....Stuffing Ring
- JHJ060-16.....Stopper Ring
- JHJ060-18.....Supporting Plate
- JHJ060-19.....Snap Ring
- JHJ060-20.....Horizontal Pin
- JHJ060-21.....Vertical Pin
- JHJ060-22.....Ram Spring
- JHJ060-23.....Ram Spring Stopper Ring
- JHJ060-24A.....Pump Backup Ring
- JHJ060-24B.....Pump Packing
- JHJ060-24C.....Release Packing
- JHJ060-24D.....Ram Backup Ring
- JHJ060-24E.....Ram Packing
- JHJ060-24F.....Cylinder Packing
- JHJ060-24G.....Oil Plug
- JHJ060-25.....Safety Valve Ball (Ref SB-3/16)
- JHJ060-26.....Safety Valve Receiver
- JHJ060-27.....Safety Valve Spring
- JHJ060-28.....Safety Valve Adjust Screw
- JHJ060-29.....Safety Valve Plug
- JHJ060-37.....Pump Stay

* NOTE: Repair kit includes parts 24A thru 24G.

	JHJ-060
Rated capacity	60 ton
Minimum height (in.)	12
Piston height (in.)	6-3/4
Head screw (h/in.)	--
Maximum height (in.)	8-5/8
Base size (LxW/in.)	9-1/4 x 7-3/8
Weight (lbs)	82

Part No. M-453360
Revision G1 04/2014

JET
a Division of JPW Industries, Inc.
427 New Sanford Rd.
LaVergne, Tennessee 37086
Ph.: 800-274-6848
www.jettools.com

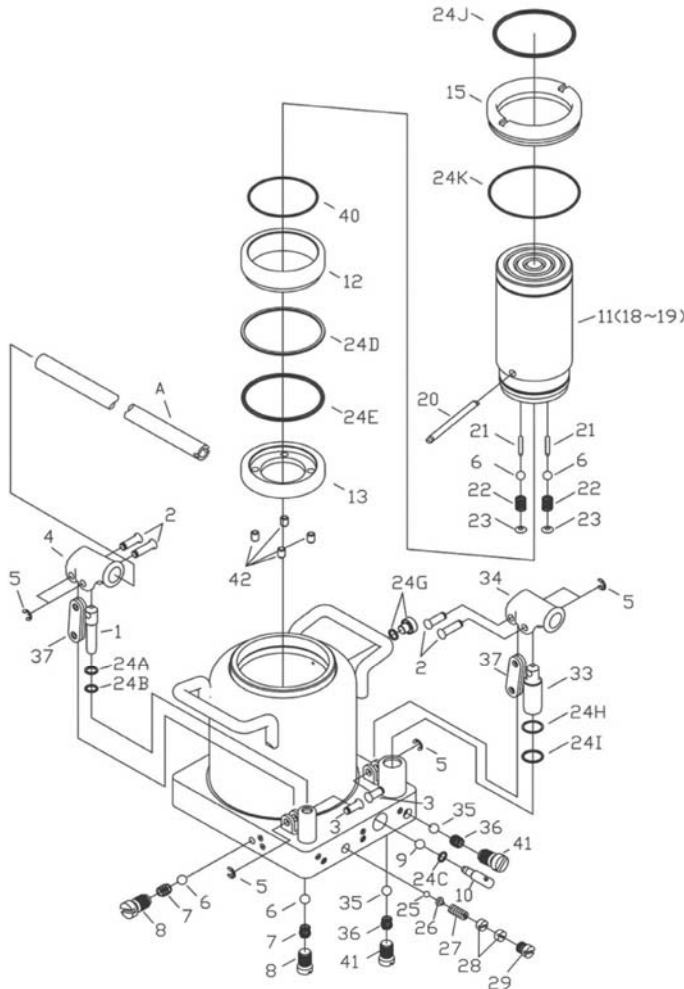


Hydraulic Bottle Jack
JHJ-100 (stock no. 453399)

JHJ-100

Part No.	Description
JHJ100-RK	Repair Kit*
JHJ100-A	Handle
JHJ100-01	Pump Plunger
JHJ100-02	Pump Plunger Pin
JHJ100-03	Pump Stay Pin
JHJ100-04	Handle Socket
JHJ100-05	Snap Ring
JHJ100-06	Valve Ball (Ref SB-1/4)
JHJ100-07	Valve Spring (Ref JHJ001-11)
JHJ100-08	Valve Plug (Ref JHJ005-12)
JHJ100-09	Release Ball (Ref SB-13/32)
JHJ100-10	Release Assy Old (Ref JHJ001-15)
JHJ100-10A	Release Assy New (JHJ001-15A)
JHJ100-11	Ram Assembly (incl. 18 & 19)
JHJ100-12	Ram Packing Seat
JHJ100-13	Ram Packing Stopper
JHJ100-15	Stuffing Ring
JHJ100-18	Supporting Plate
JHJ100-19	Snap Ring
JHJ100-20	Horizontal Pin
JHJ100-21	Vertical Pin
JHJ100-22	Ram Spring
JHJ100-23	Ram Spring Stopper Ring
JHJ100-24A	Pump Backup Ring
JHJ100-24B	Pump Packing
JHJ100-24C	Release Packing
JHJ100-24D	Ram Backup Ring
JHJ100-24F	Cylinder Packing w/ O-Ring
JHJ100-24G	Oil Plug
JHJ100-24H	Lower Pressure Pump Backup Ring
JHJ100-24I	Lower Pressure Pump Packing
JHJ100-24J	Inner Packing
JHJ100-24K	Outer Packing
JHJ100-25	Safety Valve Ball (Ref SB-3/16)
JHJ100-26	Safety Valve Receiver
JHJ100-27	Safety Valve Spring
JHJ100-28	Safety Valve Adjust Screw
JHJ100-29	Safety Valve Plug
JHJ100-33	Lower Pressure Pump Plunger
JHJ100-34	Lower Pressure Handle Socket
JHJ100-35	Lower Pressure Valve Ball (Ref SB-13/32)
JHJ100-36	Lower Pressure Valve Spring
JHJ100-37	Pump Stay
JHJ100-40	Inner Packing
JHJ100-41	Lower Pressure Valve Plug
JHJ100-42	Set Screw

* NOTE: Repair kit includes parts 24A thru 24K.



	JHJ-100
Rated capacity	100 ton
Minimum height (in.)	12
Piston height (in.)	5-23/32
Head screw (h/in.)	--
Maximum height (in.)	17-11/16
Base size (LxW/in.)	14-31/32 x 10-7/16
Weight (lbs)	225

Part No. M-453399
 Revision G1 04/2014

JET
 a Division of JPW Industries, Inc.
 427 New Sanford Rd.
 LaVergne, Tennessee 37086
 Ph.: 800-274-6848
 www.jettools.com