



HDT Series Manual Trolley – Installation and Safety Instructions

JET Manual Trolleys are designed to be used on either "I" or "H" wide flange beams.

JET HDT Series Trolleys comply with OSHA regulations, ANSI/ASME B30.11 and B30.17 standards.



IMPORTANT SAFETY INSTRUCTIONS

To reduce risk of injury:

1. Beam must be properly installed and rated for anticipated loads.
2. Do not install trolley on beams of unknown capacity.
3. Do not install trolley on damaged or deformed beams.
4. JET trolleys are designed to be used with hoists of the same rated capacity. Never use a hoist with a capacity greater than the capacity of the trolley.
5. Never subject trolley to a side pull or load. Load must be centered directly under the hoist / trolley assembly.
6. Make sure load is stable and secure before moving.
7. Never lift load more than is necessary to safely move it.
8. Always follow installation instructions.
9. Do not use if under the influence of drugs, alcohol, or medication.

Installation Instructions

(refer to Figure 1)

1. Trolley must be installed on a beam with minimum clearance (wheels to flange) of 1/16" to maximum of 1/8". Reference "Z" on both sides of the beam.
2. To extend trolley width, remove split pins and hex nuts. Remove washers from center bolt and place between hanger plate and fixed spacer. **Note:** Washers **must** be moved in sets of two, one on either side of hanger plate, as hanger plate must always remain centered between trolley side plates.
3. Once trolley width is spaced properly, install remaining washers on center bolt (same number on both sides) on outside of side plates. Install hex nuts and split pins. **Do not over tighten nuts.** Tighten nuts and then back nuts off to align the nut with hole in shaft for split pin. Insert split pin through each hex nut and bend one end of split pin to secure.
4. Re-check wheel clearance "Z" and re-adjust if necessary

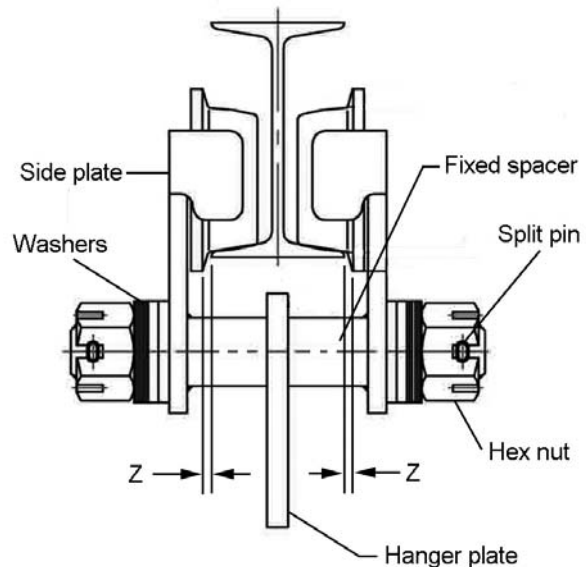


Figure 1

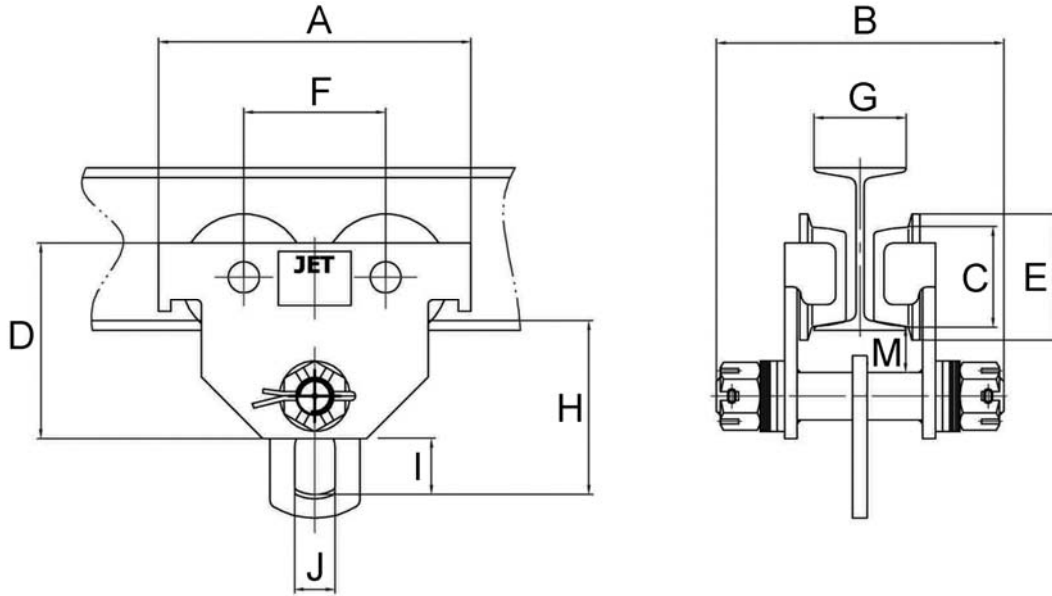
JET

427 New Sanford Road
LaVergne, Tennessee 37086
Ph.: 800-274-6848
www.jettools.com

Part No. M-262005
Revision B 09/2015

Copyright © 2015 JET, a Division of JPW Industries, Inc.

HDT Series Trolley: Specifications

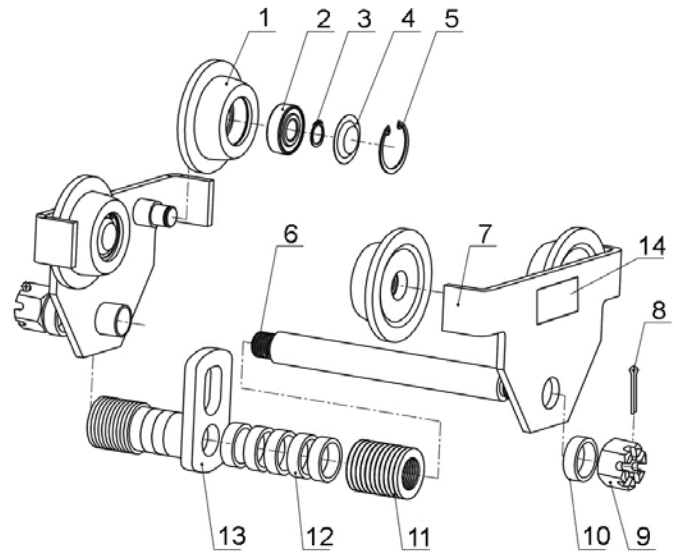


Capacity (Ton)	Stock No.		Beam Flange Width G (min-max)	Beam Height (min-max)	Min. Radius Curve	Net Weight	A	B	C (Ø)	D	E (Ø)	F	H	I	J	M
1/2 Ton	262005	mm	63-203	76-622	900	5 (kg)	188	300	53	117	75	90	101	31.8	24	34.5
		in.	2-1/2-8	3-24.5	35	11 (lb)	7-3/8	11-13/16	2-13/16	4-5/8	3	3-9/16	4	1-1/4	15/16	1-3/8
1 Ton	262010	mm	76-203	127-622	1000	7.7 (kg)	212	318	63	130	85	100	118	43	30.5	34.25
		in.	3-8	5-24.5	39	17 (lb)	8-3/8	12-1/2	2-1/2	5-1/8	3-5/16	3-15/16	4-11/16	1-11/16	1-3/16	1-3/8
2 Ton	262020	mm	82-203	153-622	1100	14 (kg)	258	330	78	161	104	122	137	50.8	38	39.5
		in.	3-1/4-8	6-24.5	43	31 (lb)	10-3/16	13	3	6-5/16	4	4-13/16	5-3/8	2	1-1/2	1-9/16
3 Ton	262030	mm	102-203	203-622	1300	23.1 (kg)	314	348	100	189	128	150	164	65	45	40
		in.	4-8	8-24.5	51	51 (lb)	12-3/8	13-3/4	3-15/16	7-7/16	5	5-5/16	6-7/16	2-9/16	1-3/4	1-9/16
5 Ton	262050	mm	116-203	254-622	1400	39.5 (kg)	370	376	120	217	151	174	196	86	54	48
		in.	4-5/8-8	10-24.5	55	87 (lb)	14-9/16	14-13/16	4-3/4	8-9/16	5-15/16	6-7/8	7-11/16	3-3/8	2-1/8	1-7/8

Specifications in this document were current at time of publication, but because of our policy of continuous improvement, JET reserves the right to change specifications at any time and without prior notice, without incurring obligations.

HDT Series Trolley: Parts Breakdown

Index	Part No.	Description	Qty
1	1/2HDT-1	Wheel (1/2 ton)	4
	1HDT-1	Wheel (1 ton)	4
	2HDT-1	Wheel (2 ton)	4
	3HDT-1	Wheel (3 ton)	4
	5HDT-1	Wheel (5 ton)	4
2	BB-6201	Bearing (1/2 ton)	4
	BB-6202	Bearing (1 ton)	4
	BB-6204	Bearing (2 ton)	4
	BB-6206	Bearing (3 ton)	4
	BB-6207	Bearing (5 ton)	4
3	1/2HDT-3	Snap Ring $\varnothing 12$ (1/2 ton)	4
	1HDT-3	Snap Ring $\varnothing 15$ (1 ton)	4
	2HDT-3	Snap Ring $\varnothing 20$ (2 ton)	4
	3HDT-3	Snap Ring $\varnothing 30$ (3 ton)	4
	5HDT-3	Snap Ring $\varnothing 35$ (5 ton)	4
4	1/2HDT-4	Shield (1/2 ton)	4
	1HDT-4	Shield (1 ton)	4
	2HDT-2	Shield (2 ton)	4
	3HDT-4	Shield (3 ton)	4
5	1/2HD-5	Snap Ring $\varnothing 32$ (1/2 ton)	4
	1HDT-5	Snap Ring $\varnothing 35$ (1 ton)	4
	2HDT-5	Snap Ring $\varnothing 47$ (2 ton)	4
	3HDT-5	Snap Ring $\varnothing 62$ (3 ton)	4
	5HDT-5	Snap Ring $\varnothing 72$ (5 ton)	4
6	1/2HDT-6	Shaft (1/2 ton)	1
	1HDT-6	Shaft (1 ton)	1
	2HDT-6	Shaft (2 ton)	1
	3HDT-6	Shaft (3 ton)	1
7	1/2HDT-7	Side Plate (1/2 ton)	2
	1HDT-7	Side Plate (1 ton)	2
	2HDT-7	Side Plate (2 ton)	2
	3HDT-7	Side Plate (3 ton)	2
	5HDT-7	Side Plate (5 ton)	2
8	1/2GBT-23	Split Pin $\varnothing 4 \times 50$ (1/2,1,2 ton)	2
	1GBT-23	Split Pin $\varnothing 6 \times 65$ (3 ton)	2
	2GBT-23	Split Pin $\varnothing 6 \times 75$ (5 ton)	2
9	1/2HDT-9	Nut M16 (1/2 ton)	2
	1HDT-9	Nut M20 (1 ton)	2
	2HDT-9	Nut M24 (2 ton)	2
	3HDT-9	Nut M30 (3 ton)	2
	5HDT-9	Nut M36 (5 ton)	2



Index	Part No.	Description	Qty
10	1/2HDT-10	Outer Adjusting Washer (1/2 ton)	2
	1HDT-10	Outer Adjusting Washer (1 ton)	2
	2HDT-10	Outer Adjusting Washer (2 ton)	2
	3HDT-10	Outer Adjusting Washer (3 ton)	2
	5HDT-10	Outer Adjusting Washer (5 ton)	2
11	1/2HDT-11	Adjusting Washer (1/2 ton)	22
	1HDT-11	Adjusting Washer (1 ton)	22
	2HDT-11	Adjusting Washer (2 ton)	26
	3HDT-11	Adjusting Washer (3 ton)	26
	5HDT-11	Adjusting Washer (5 ton)	28
12	1/2HDT-12	Adjusting Washer (1/2 ton)	14
	1HDT-12	Adjusting Washer (1 ton)	12
	2HDT-12	Adjusting Washer (2 ton)	10
	3HDT-12	Adjusting Washer (3 ton)	6
13	1/2HDT-13	Hanger Plate (1/2 ton)	1
	1HDT-13	Hanger Plate (1 ton)	1
	2HDT-13	Hanger Plate (2 ton)	1
	3HDT-13	Hanger Plate (3 ton)	1
14	5HDT-13	Hanger Plate (5 ton)	1
	LM000101	Name Plate, 1/2-HDT	1
	LM000102	Name Plate, 1-HDT	1
	LM000103	Name Plate, 2-HDT	1
	LM000104	Name Plate, 3-HDT	1
	LM000105	Name Plate, 4-HDT	1

1/2HDT-SPK, Spacer Kit for 1/2 ton (includes #11 and 12)

1HDT-SPK, Spacer Kit for 1 ton (includes #11 and 12)

2HDT-SPK, Spacer Kit for 2 ton (includes #11 and 12)

3HDT-SPK, Spacer Kit for 3 ton (includes #11 and 12)

5HDT-SPK, Spacer Kit for 5 ton (includes #11 and 12)

Warranty and service

JET warrants every product it sells against manufacturers' defects. If one of our tools needs service or repair, please contact Technical Service by calling 1-800-274-6846, 8AM to 5PM CST, Monday through Friday.

Warranty Period

The general warranty lasts for the time period specified in the literature included with your product or on the official JET branded website.

- JET products carry a limited warranty which varies in duration based upon the product. (See chart below)
- Accessories carry a limited warranty of one year from the date of receipt.
- Consumable items are defined as expendable parts or accessories expected to become inoperable within a reasonable amount of use and are covered by a 90 day limited warranty against manufacturer's defects.

Who is Covered

This warranty covers only the initial purchaser of the product from the date of delivery.

What is Covered

This warranty covers any defects in workmanship or materials subject to the limitations stated below. This warranty does not cover failures due directly or indirectly to misuse, abuse, negligence or accidents, normal wear-and-tear, improper repair, alterations or lack of maintenance. JET woodworking machinery is designed to be used with Wood. Use of these machines in the processing of metal, plastics, or other materials outside recommended guidelines may void the warranty. The exceptions are acrylics and other natural items that are made specifically for wood turning.

Warranty Limitations

Woodworking products with a Five Year Warranty that are used for commercial or industrial purposes default to a Two Year Warranty. Please contact Technical Service at 1-800-274-6846 for further clarification.

How to Get Technical Support

Please contact Technical Service by calling 1-800-274-6846. **Please note that you will be asked to provide proof of initial purchase when calling.** If a product requires further inspection, the Technical Service representative will explain and assist with any additional action needed. JET has Authorized Service Centers located throughout the United States. For the name of an Authorized Service Center in your area call 1-800-274-6846 or use the Service Center Locator on the JET website.

More Information

JET is constantly adding new products. For complete, up-to-date product information, check with your local distributor or visit the JET website.

How State Law Applies

This warranty gives you specific legal rights, subject to applicable state law.

Limitations on This Warranty

JET LIMITS ALL IMPLIED WARRANTIES TO THE PERIOD OF THE LIMITED WARRANTY FOR EACH PRODUCT. EXCEPT AS STATED HEREIN, ANY IMPLIED WARRANTIES OF MERCHANTABILITY AND FITNESS FOR A PARTICULAR PURPOSE ARE EXCLUDED. SOME STATES DO NOT ALLOW LIMITATIONS ON HOW LONG AN IMPLIED WARRANTY LASTS, SO THE ABOVE LIMITATION MAY NOT APPLY TO YOU.

JET SHALL IN NO EVENT BE LIABLE FOR DEATH, INJURIES TO PERSONS OR PROPERTY, OR FOR INCIDENTAL, CONTINGENT, SPECIAL, OR CONSEQUENTIAL DAMAGES ARISING FROM THE USE OF OUR PRODUCTS. SOME STATES DO NOT ALLOW THE EXCLUSION OR LIMITATION OF INCIDENTAL OR CONSEQUENTIAL DAMAGES, SO THE ABOVE LIMITATION OR EXCLUSION MAY NOT APPLY TO YOU.

JET sells through distributors only. The specifications listed in JET printed materials and on official JET website are given as general information and are not binding. JET reserves the right to effect at any time, without prior notice, those alterations to parts, fittings, and accessory equipment which they may deem necessary for any reason whatsoever. JET® branded products are not sold in Canada by JPW Industries, Inc.

Product Listing with Warranty Period

90 Days – Parts; Consumable items
1 Year – Motors; Machine Accessories
2 Year – Metalworking Machinery; Electric Hoists, Electric Hoist Accessories; Woodworking Machinery used for industrial or commercial purposes
5 Year – Woodworking Machinery
Limited Lifetime – JET Parallel clamps; VOLT Series Electric Hoists; Manual Hoists; Manual Hoist Accessories; Shop Tools; Warehouse & Dock products; Hand Tools; Air Tools

NOTE: JET is a division of JPW Industries, Inc. References in this document to JET also apply to JPW Industries, Inc., or any of its successors in interest to the JET brand.